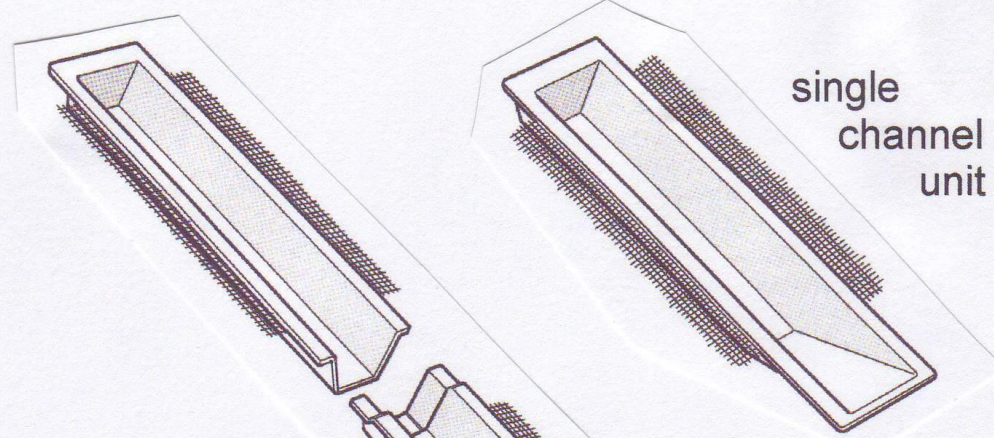
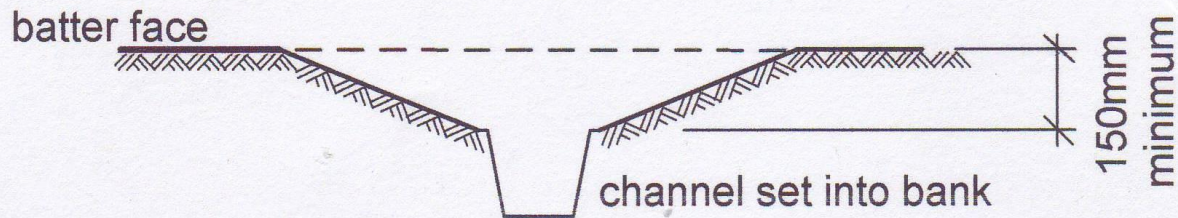


outfall pipe /  
channel unit



single  
channel  
unit

intermediate unit(s)  
fitted between top  
and bottom units



**ARRANGEMENT FOR SMALL DRAINAGE OUTFALLS  
(less than 300mm diameter)**